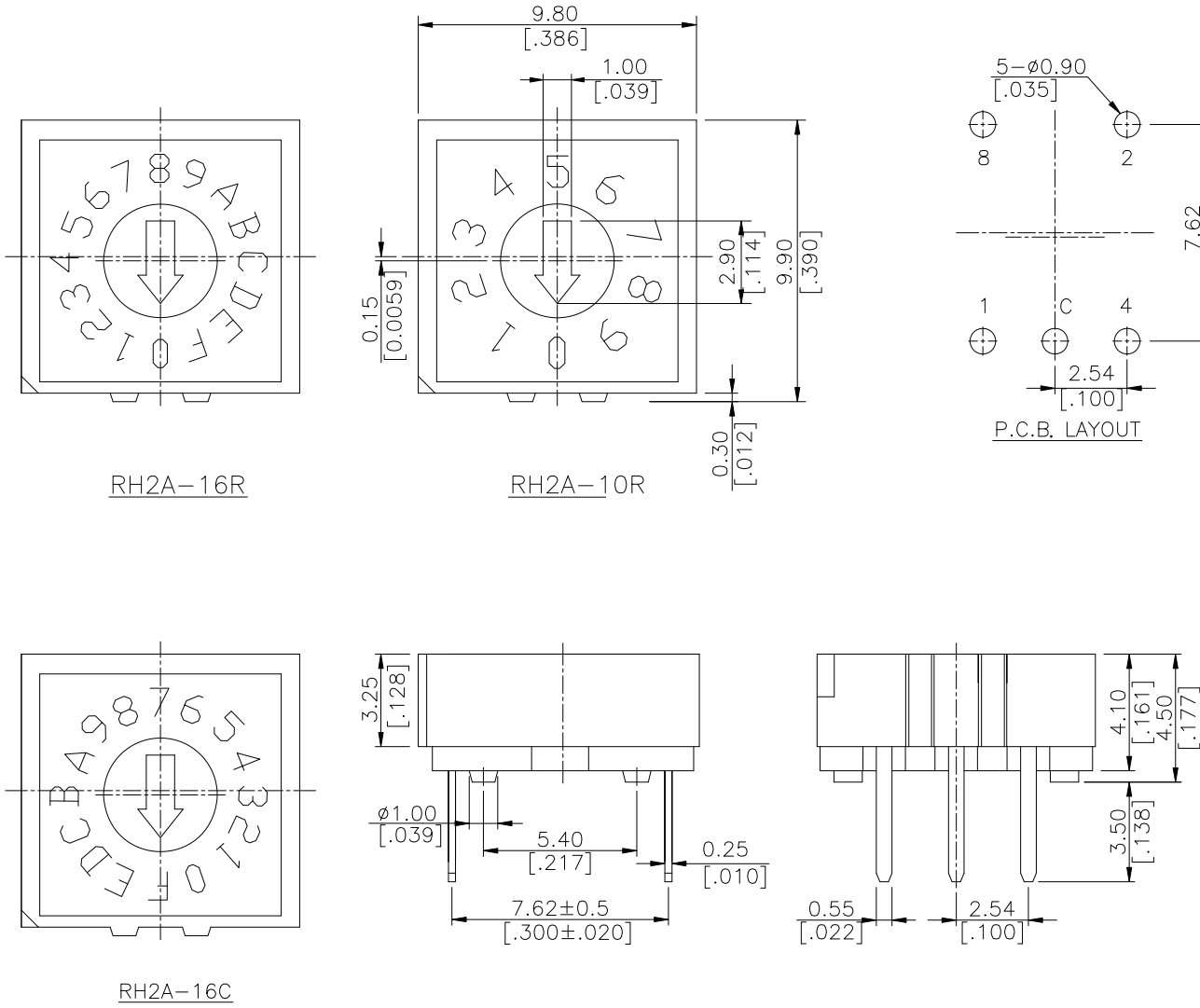


ROTARY SERIES



DIMENSIONS

RH2

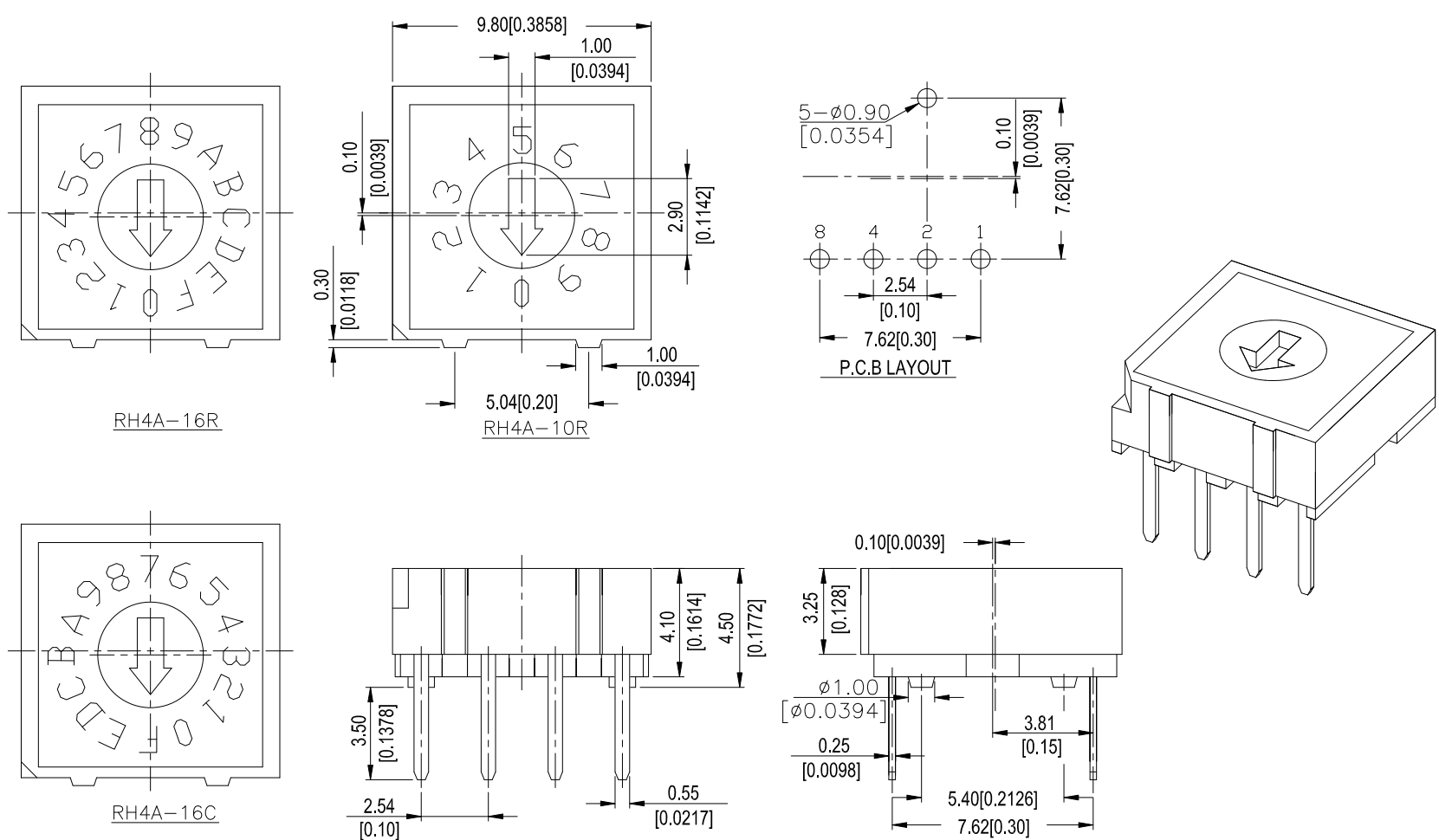


○ REAL CODE

POSITION	CODE			
	1	2	4	8
0	●	●	●	●
1	○	●	●	●
2	●	○	●	●
3	○	○	●	●
4	●	●	○	●
5	○	●	○	●
6	●	○	○	●
7	○	○	○	●
8	●	●	●	○
9	○	●	●	○
A	●	○	●	○
B	○	○	●	○
C	●	●	○	○
D	○	●	○	○
E	●	○	○	○
F	○	○	○	○

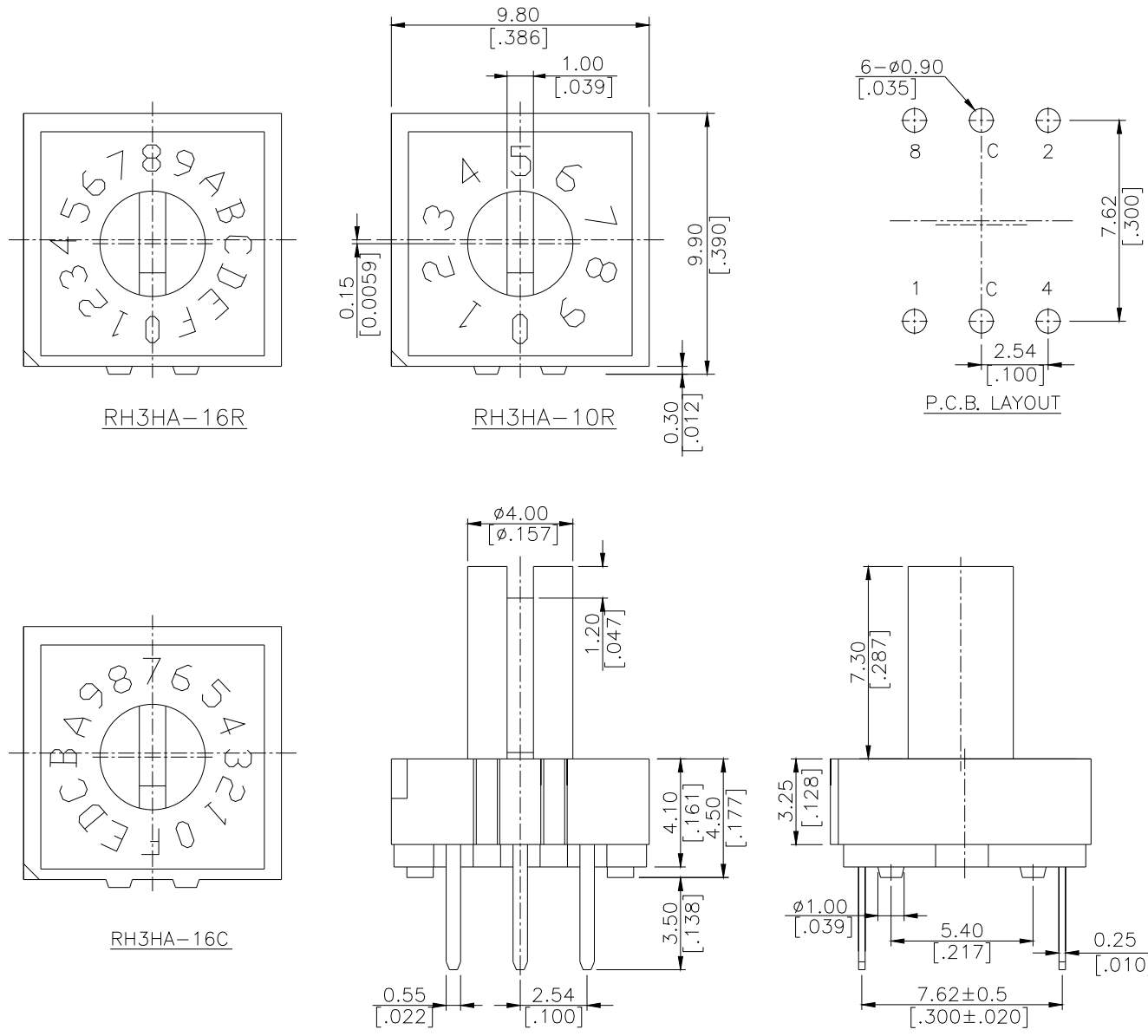
General Tolerance : $\pm 0.2\text{mm}$

RH4



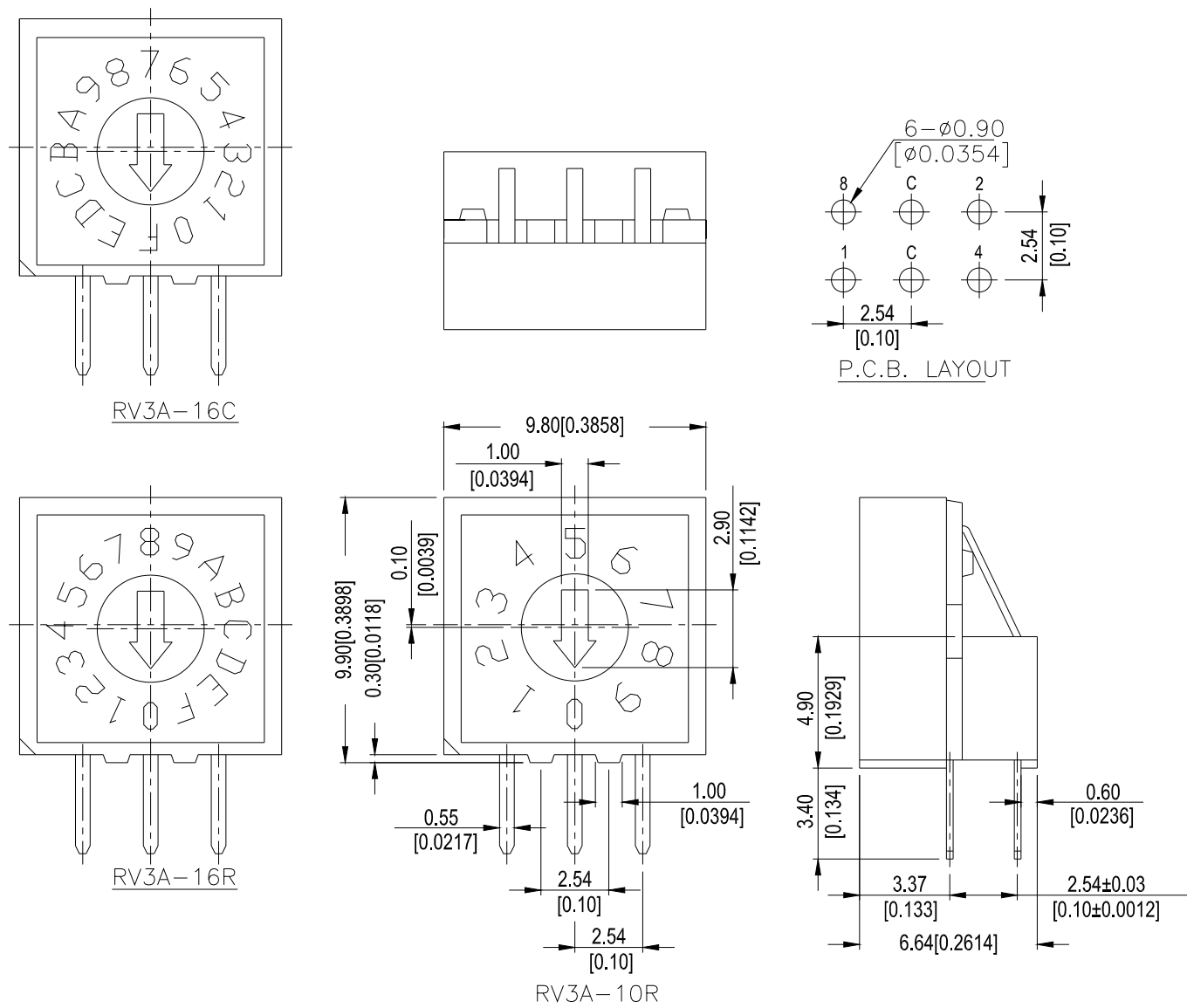
General Tolerance : $\pm 0.2\text{mm}$

RH3H



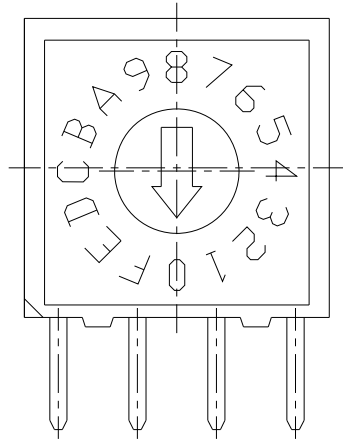
General Tolerance : ±0.2mm

RV3

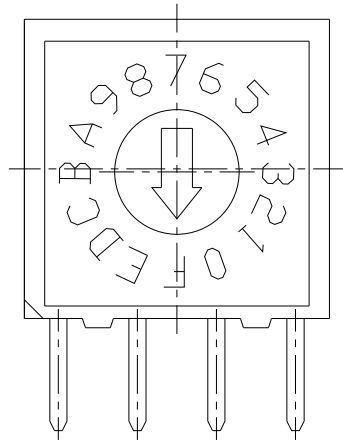
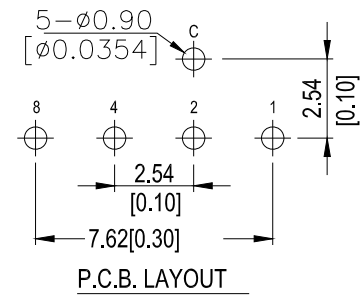
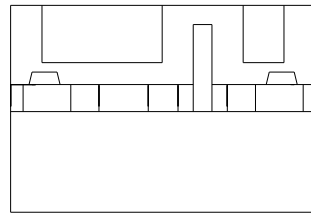


General Tolerance : ±0.2mm

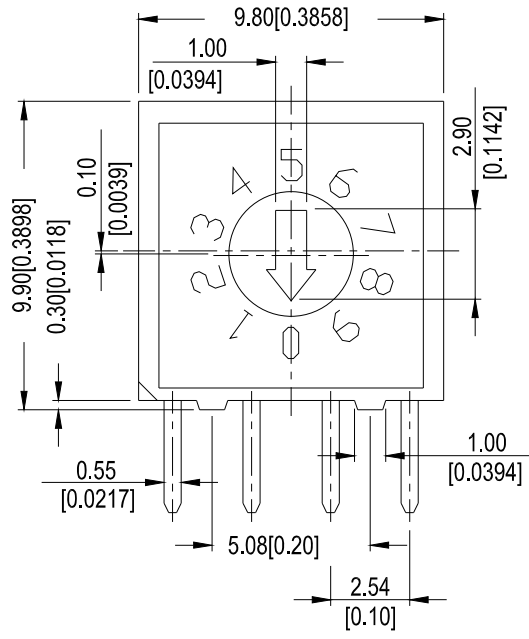
RV4



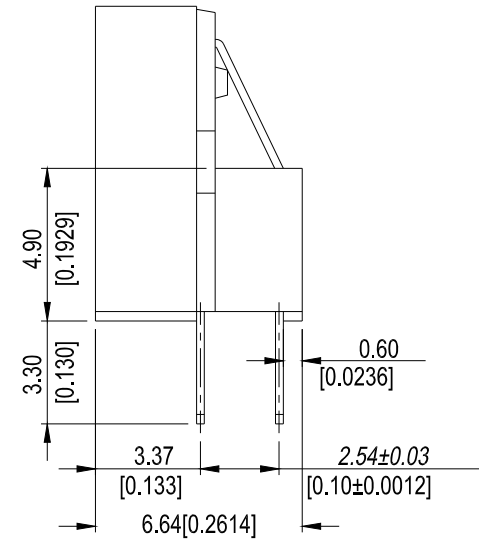
RV4A-16R



RV4A-16C

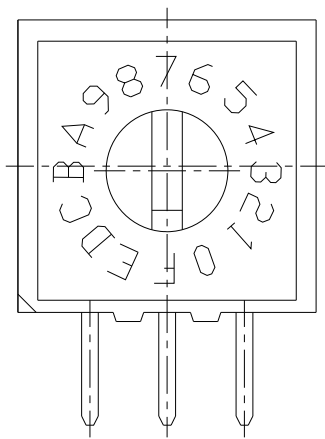


RV4A-10R

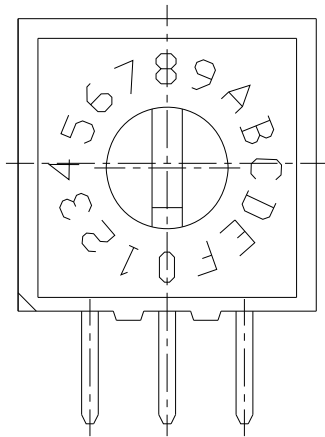
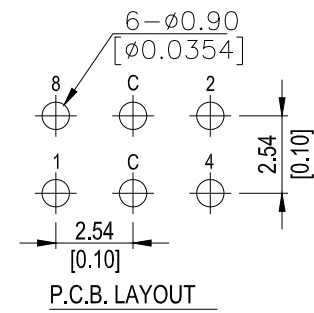
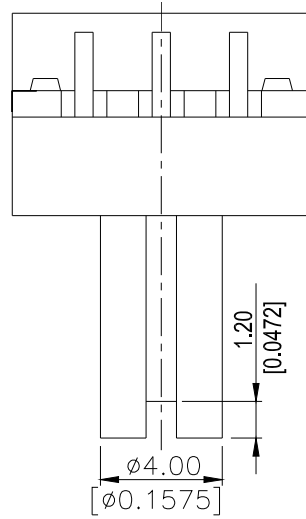


General Tolerance : $\pm 0.2\text{mm}$

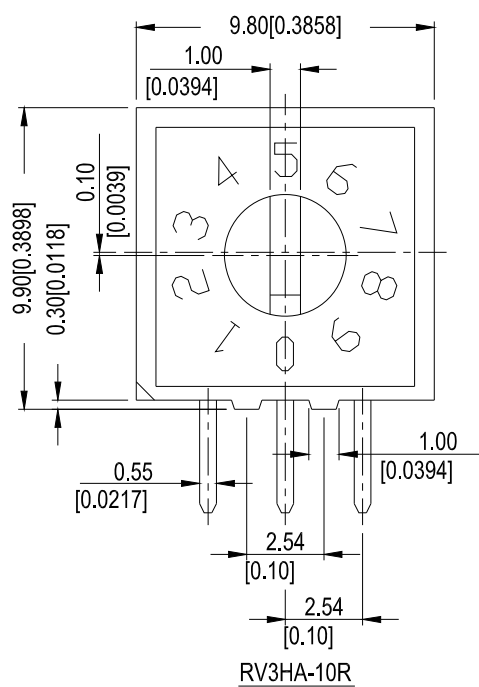
RV3H



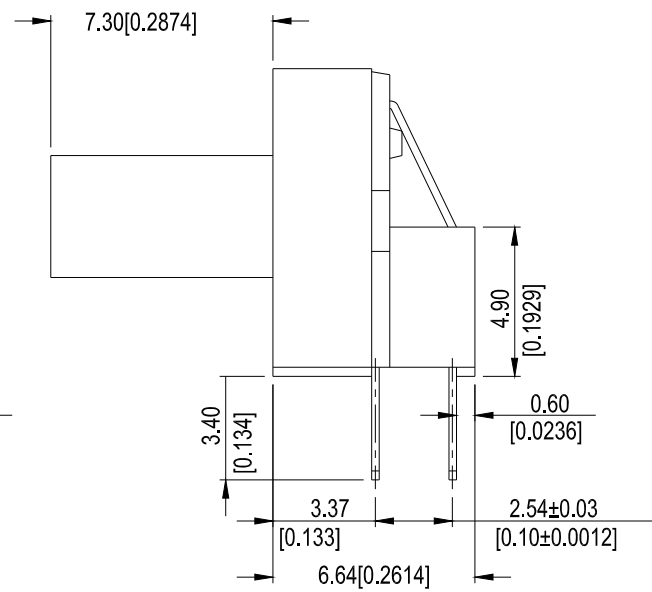
RV3HA-16C



RV3HA-16R

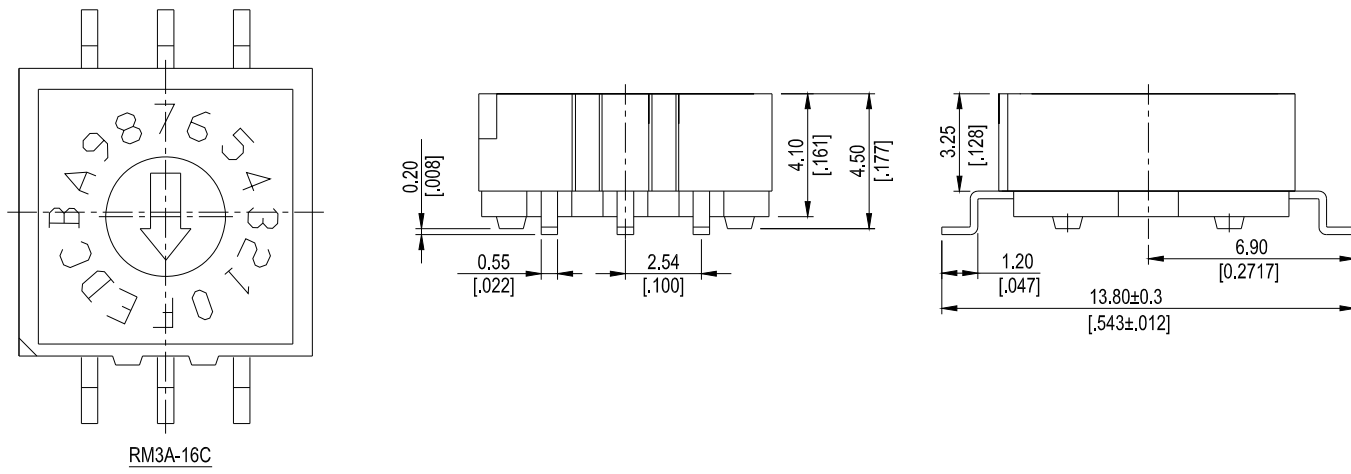
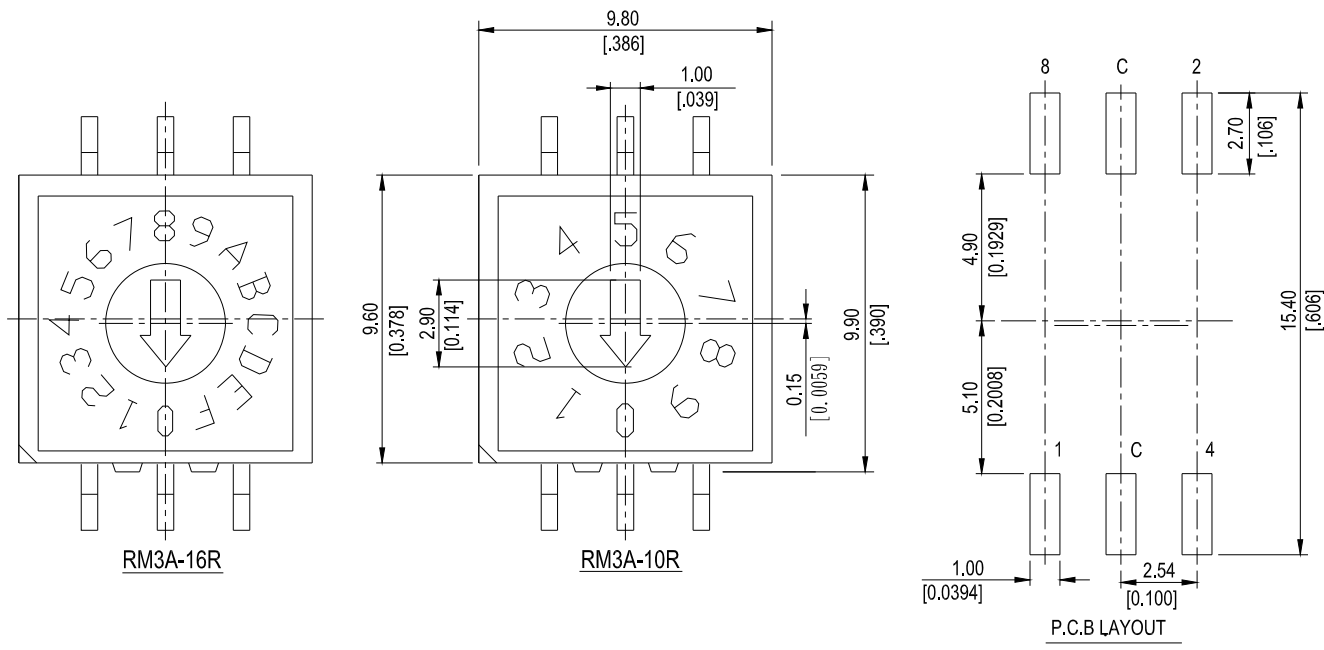


RV3HA-10R



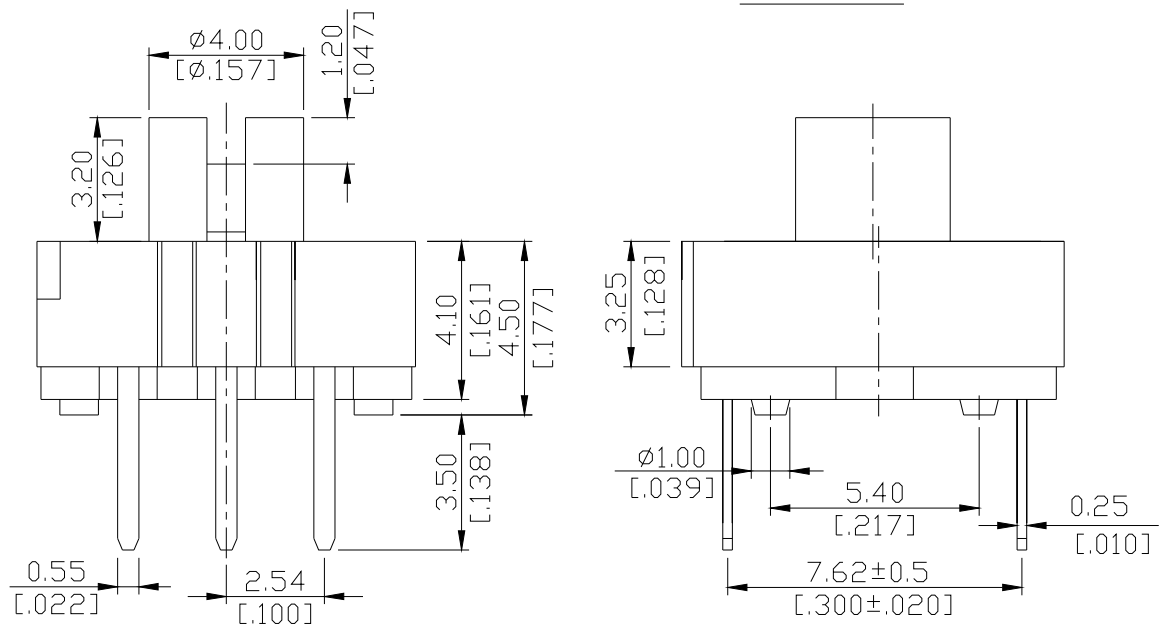
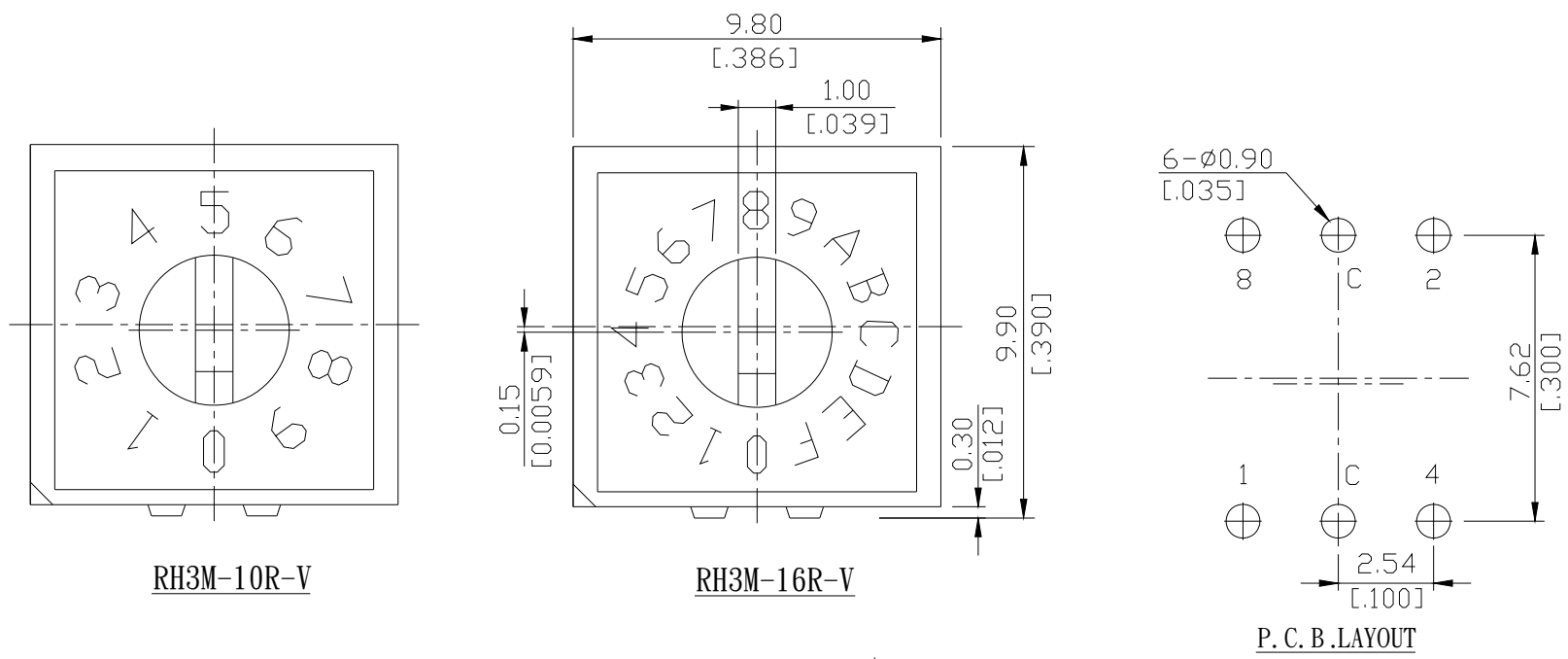
General Tolerance : $\pm 0.2\text{mm}$

RM3

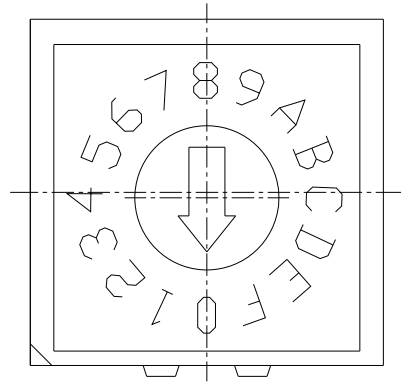


General Tolerance : $\pm 0.2\text{mm}$

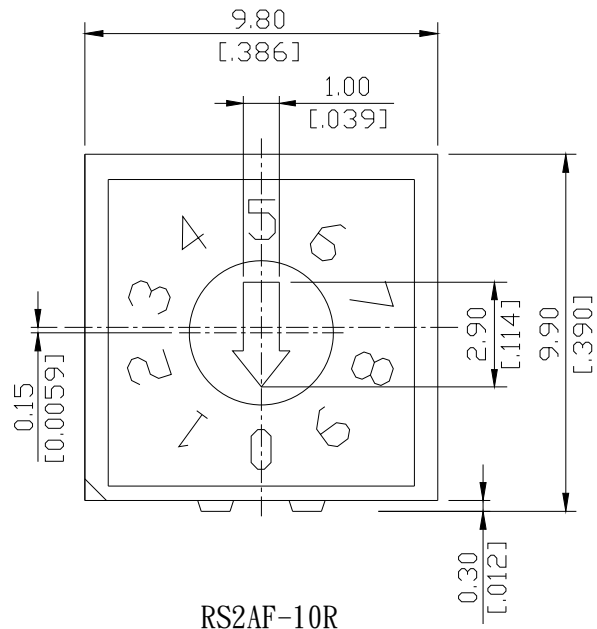
RH3M



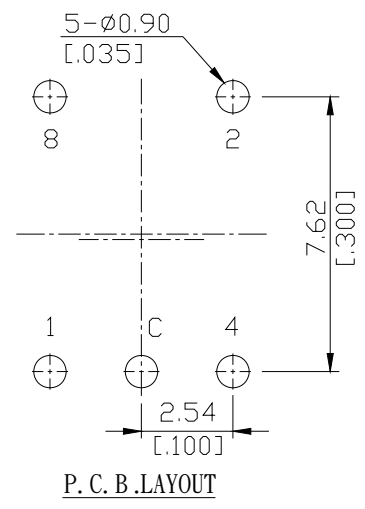
General Tolerance : $\pm 0.2\text{mm}$



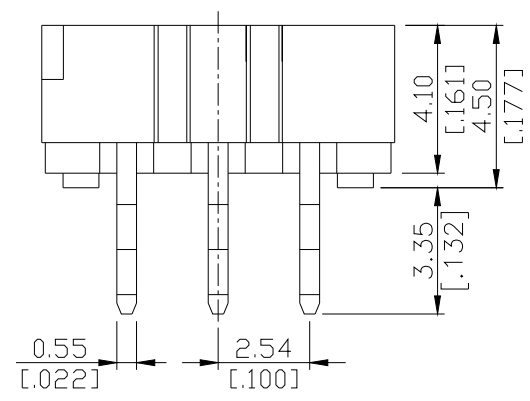
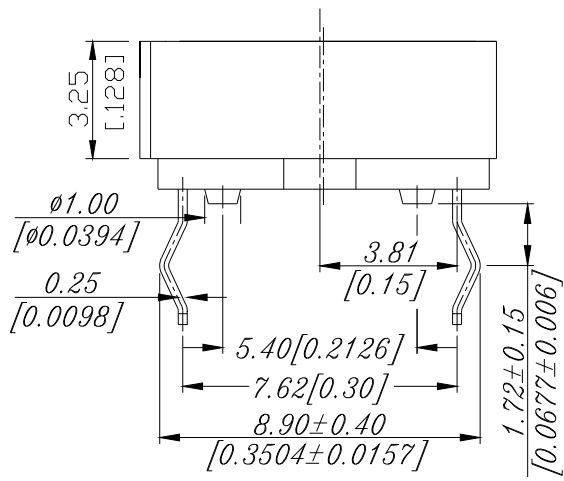
RS2AF-16R



RS2AF-10R



P. C. B. LAYOUT



General Tolerance : ±0.2mm

HOW TO ORDER

R □ □ □ □ F - □ □ □ - □ - □

Package Style :

B=Tube

T/R=Tape & Reel <SMT Only>

Soldering :

V=RoHS & Lead Free Solderable

Q=Halogen Free

R=Real Codes.

Number Of Steps :

10=10 Steps.

16=16 Steps.

Higher Operating Force

Solder Plating

A=Terminal : Gold Plated Over Nickle

Actuator Type :

□=Recessed Actuator

H=High Actuator 7.3mm

M= Actuator 3.2mm

Number of Terminals:

4=4x1

3=3x3

2=3x2

Terminal Type :

H=Through Hole

V=Right angle

M=S.M.T

S=Kink Pin

R=Rotary Dip Switch

SPECIFICATIONS

△MECHANICAL

Mechanical Life: 200mΩ max. 20,000 steps

Operating Force: 200gf-cm max.

△ENVIRONMENTAL

Operating Temperature: -25°C to +80°C

Storage Temperature: -40°C to +85°C

△ELECTRICAL

Electrical Life: 200mΩ max. 20,000 steps

Non-Switching Rating: 100mA, 50VDC

Switching Rating: 24VDC, 25mA

Contact Resistance: (a) 100mΩ max. (initial)

(b) 200mΩ (final – after test)

Insulation Resistance: 100MΩ min. at 250VDC

Voltage Proof: 250VAC for 1 minute

MATERIAL

△BASE & COVER: UL 94V-0 High-temp Thermoplastic

Color: Black

△ACTUATOR: UL 94V-0 High-temp Thermoplastic

Color: White

△CONTACT: Alloy copper with gold plated over nickle

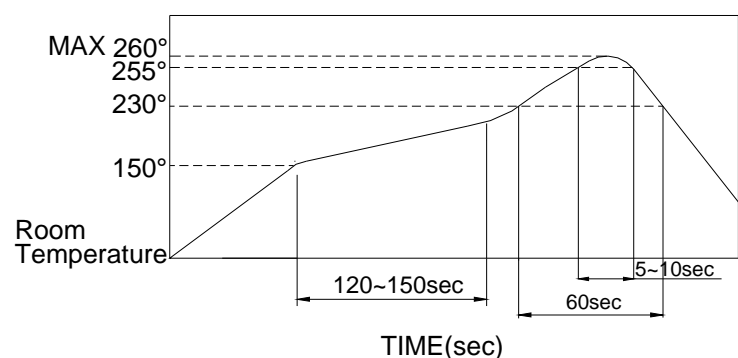
△TERMINAL: Brass with gold plated

SOLDERING PROCESS

△HAND SOLDERING : Use a soldering iron of 30 watts, controlled at (350°C) approximately max 5 seconds.

△WAVE SOLDERING: Recommended temperature at 500°F (260°C) max. 5 seconds. (For through hole type).

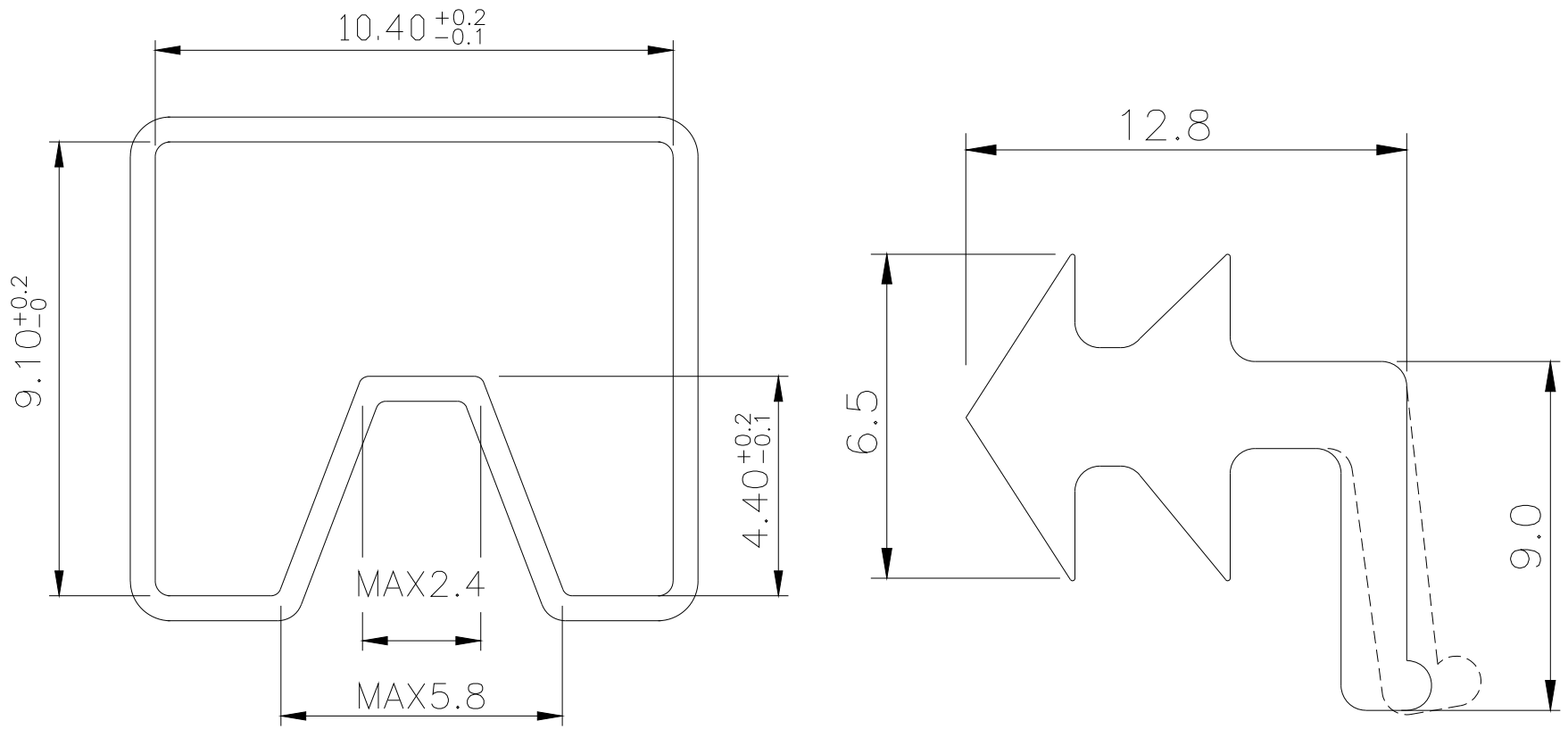
△REFLOW SOLDERING: When applying reflow soldering, the peak temperature of the reflow oven should be set to 260°C max.



PACKING

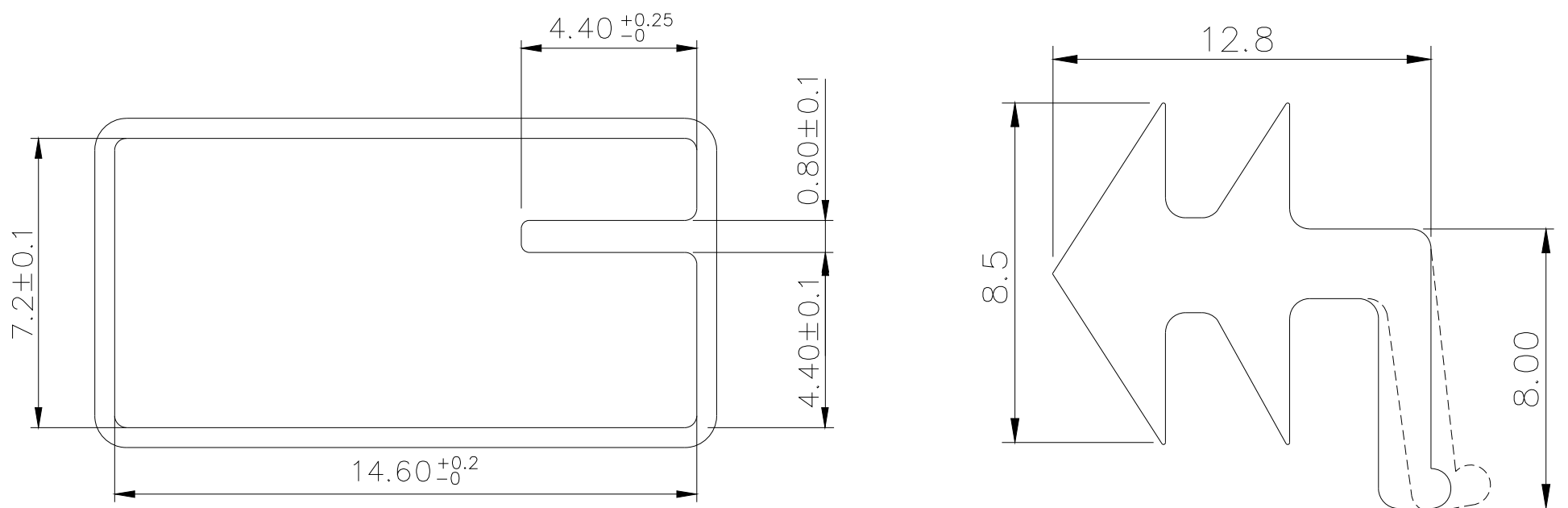
Part Number	Number Per Tube	Number Per Reel
RH(S)-	48	-
RH(S)-H	48	-
RV-	48	-
RV-H	48	-
RM-	48	750
RM-H	48	250

RH TUBE



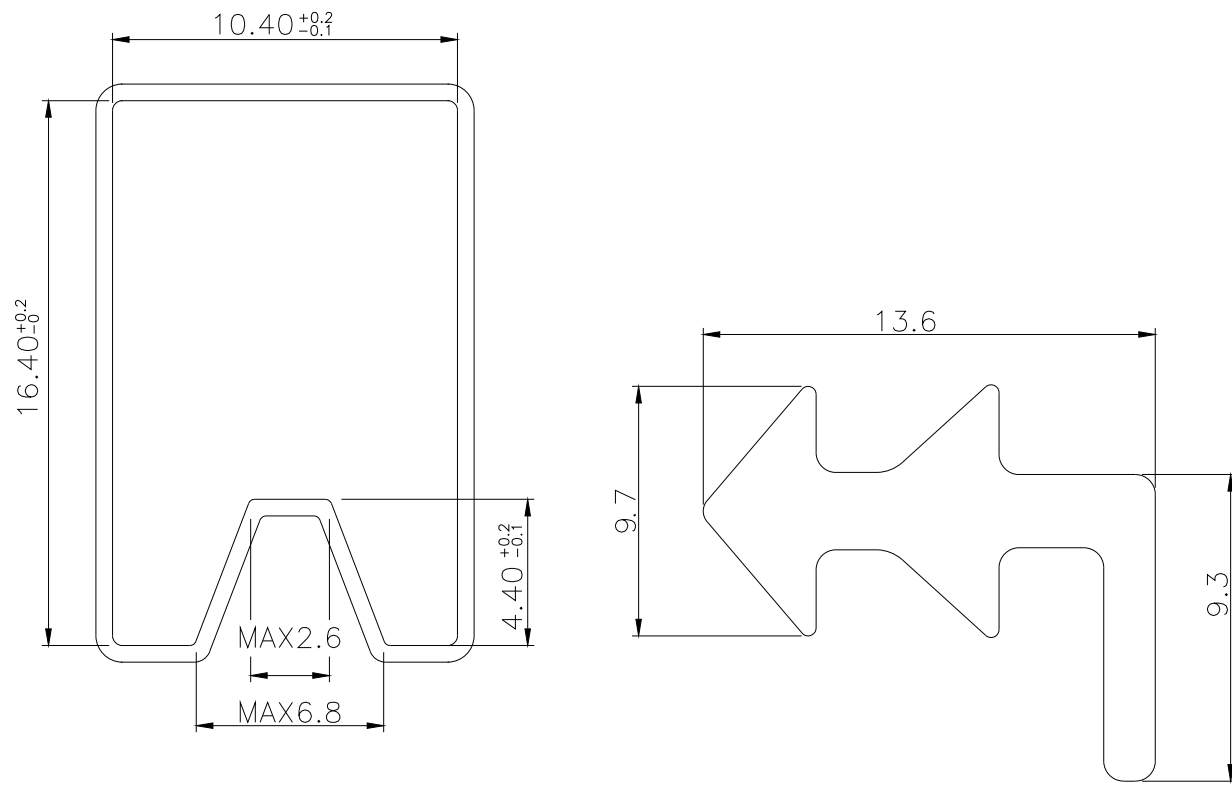
General Tolerance : ± 0.2 mm

RV TUBE



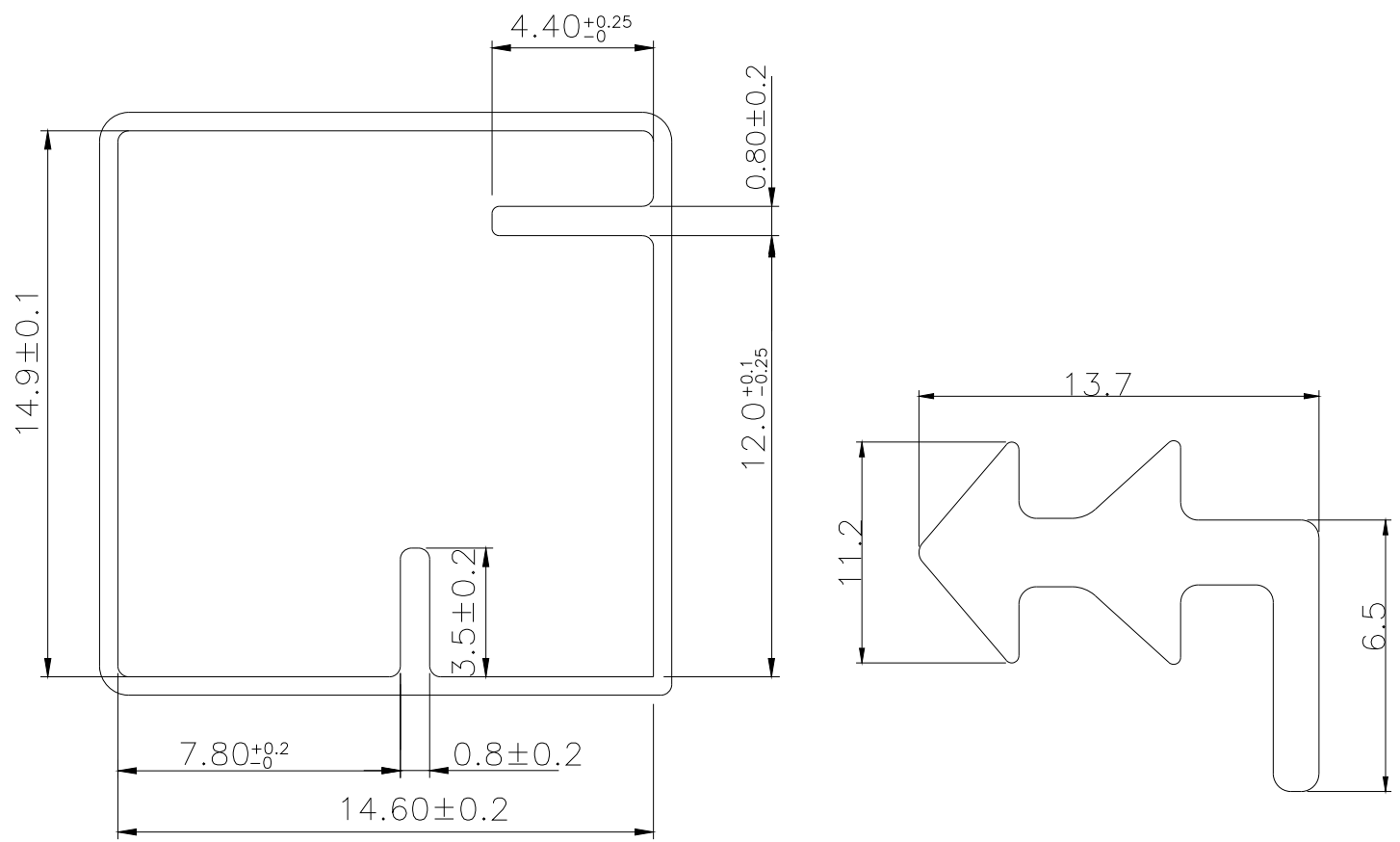
General Tolerance : ± 0.2 mm

RH-H TUBE



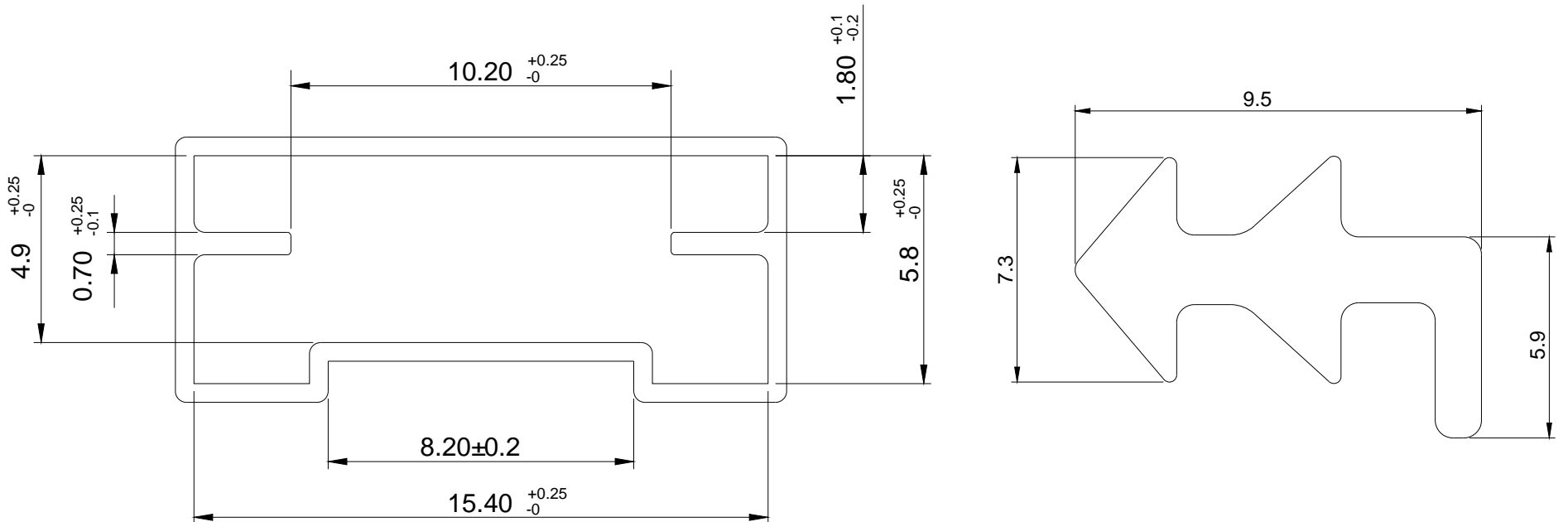
General Tolerance : $\pm 0.2\text{mm}$

RV -H TUBE



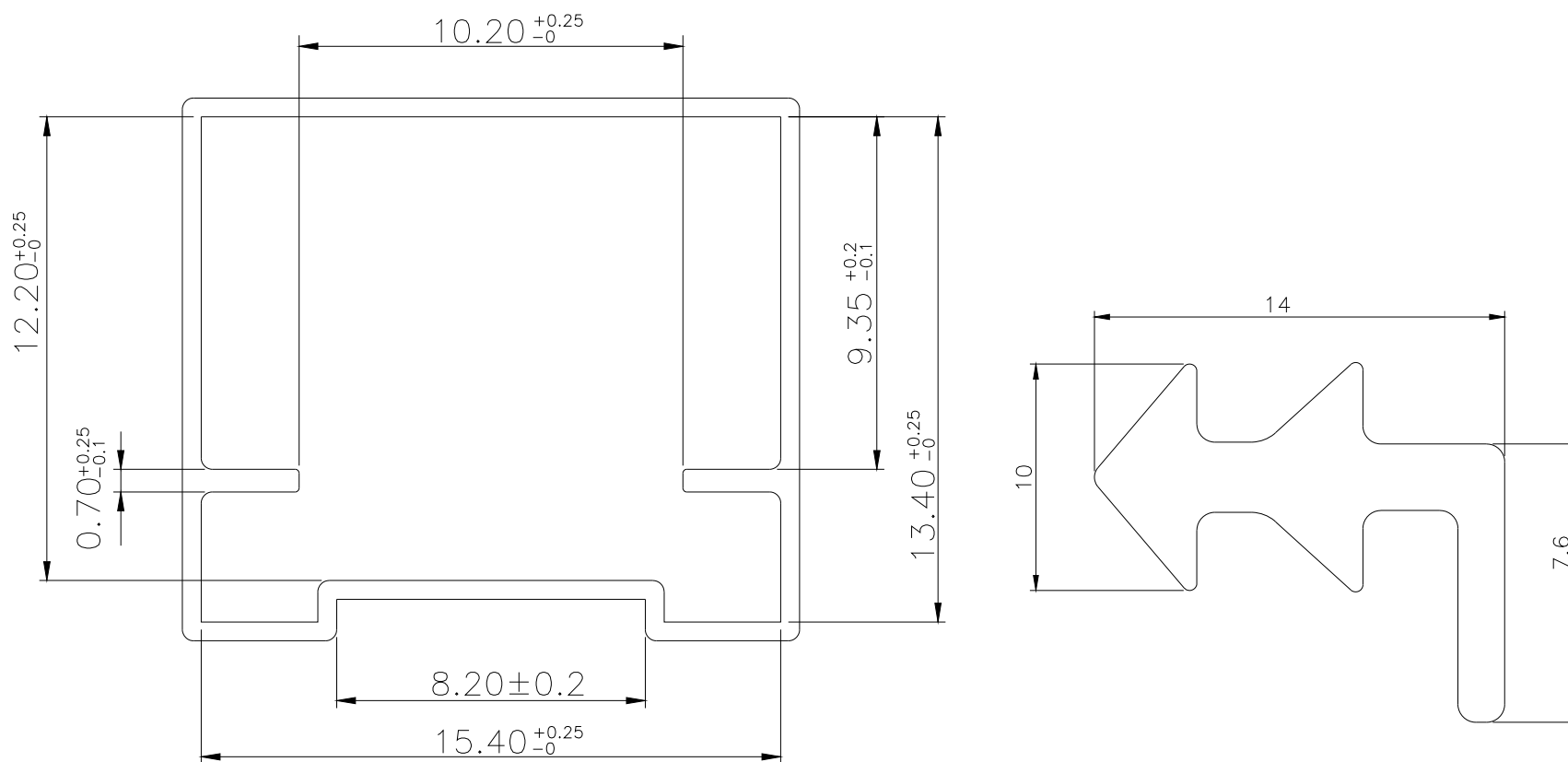
General Tolerance : $\pm 0.2\text{mm}$

RM



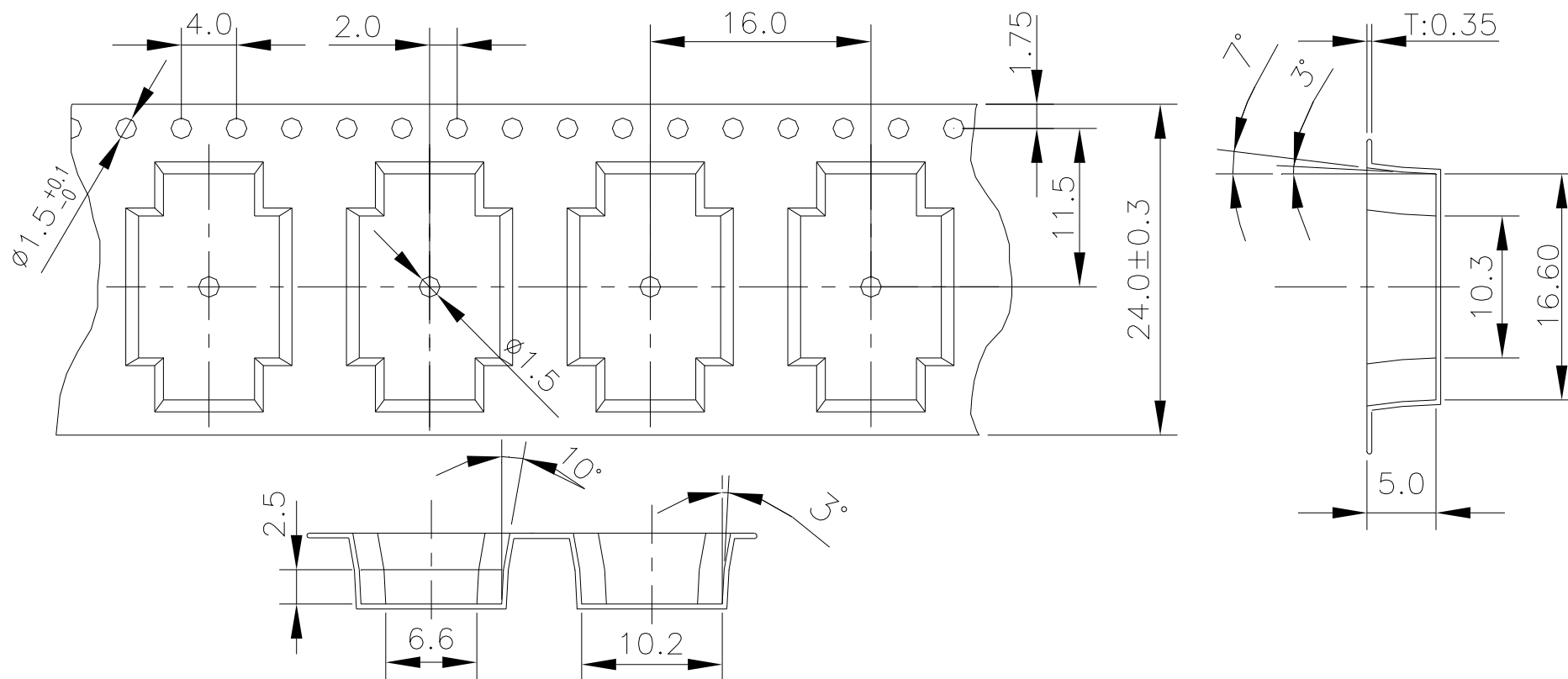
General Tolerance : $\pm 0.2\text{mm}$

RM-H



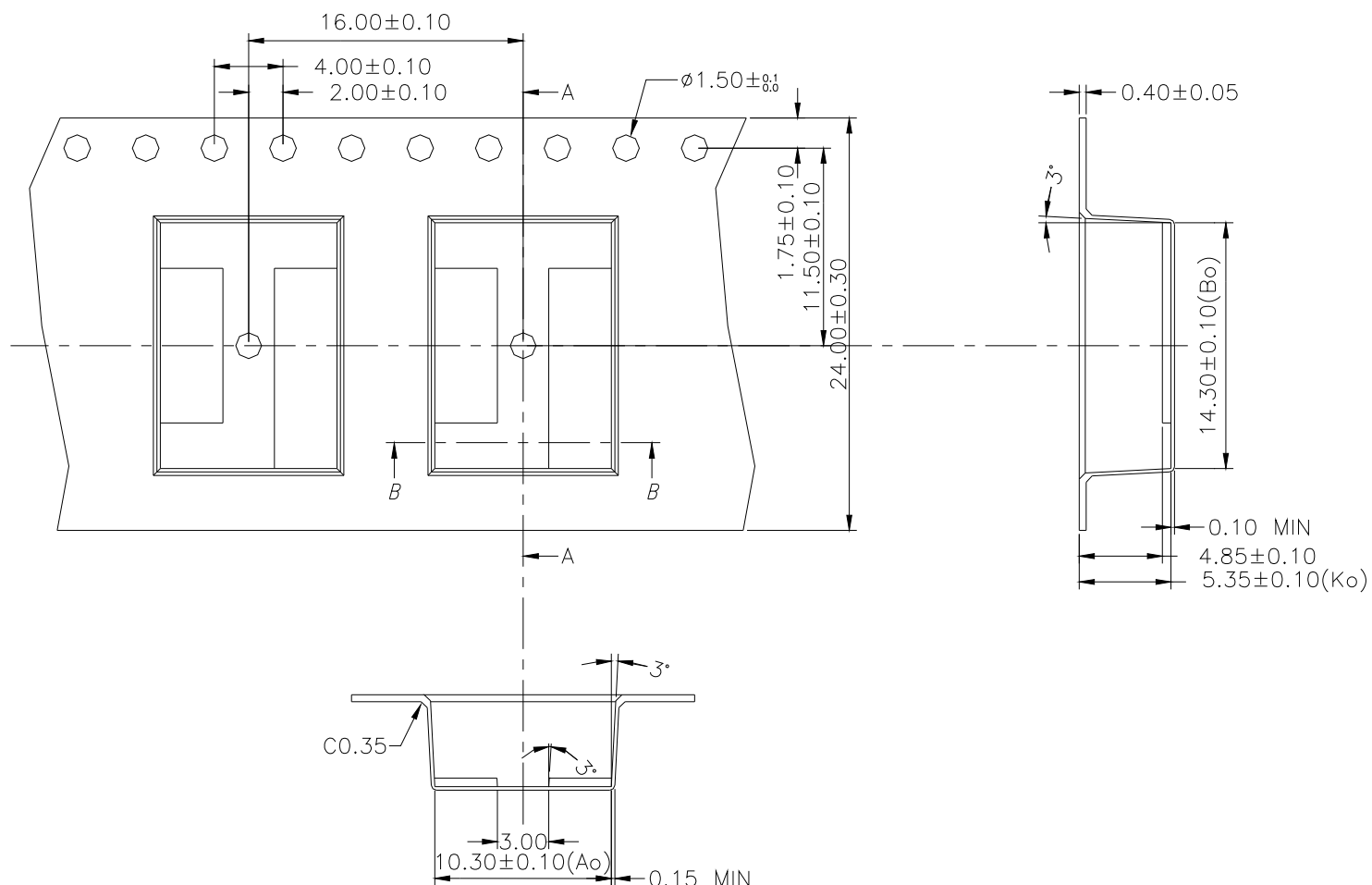
General Tolerance : $\pm 0.2\text{mm}$

RM3 REEL



General Tolerance : $\pm 0.1\text{mm}$

RM4 REEL



General Tolerance :